



❖ **ANALOG ELECTRODYNAMOMETER PORTABLE TYPE WATT / VAR / POWER FACTOR METERS**



- "MECO-G" Portable type instruments are Electro-dynamometer type instrument.
- They can be used in Single phase, 3 phase 3 wire and 3 phase 4 wire system and are designed to be used in horizontal positions.

ELECTRODYNAMOMETER TYPE POWER FACTOR METERS

Rated Accuracy	± 3° (Electrical) as per ISS 1248 for Power Factor Meters.
A. SINGLE ELEMENT FOR SINGLE PHASE LOAD: MODEL - SPF1	
CURRENT RANGE (Any One)	0.5/1A, 1/2A, 2.5/5A, 5/10A
POTENTIAL RANGE (Any One)	62.5/125/250V, 125/250/500V, 150/300/600V
B. SINGLE ELEMENT FOR 3 PHASE LOAD: MODEL - SPF3	
CURRENT RANGE (Any One)	1A or 5A
POTENTIAL RANGE (Any One)	110V or 440V
B. DOUBLE ELEMENT FOR 3 PHASE 3 WIRE LOAD: MODEL - DPF3	
CURRENT RANGE (Any One)	0.5/1A, 1/2A, 2.5/5A, 5/10A, 10/20A
POTENTIAL RANGE (Any One)	62.5/125V, 110/440V, 125/250V, 250/500V, 300/600V

Rated Accuracy:	± 1.0% of full scale value as per ISS 1248/84 between 10%-100% of the scale for Single Phase UPF Watt meters.
	± 1.5% of full scale value as per ISS 1248/84 for Three Phase Watt meters.
	± 1.5% of full scale value as per ISS 1248/84 for 0.2 P.F. (LPF) Single Phase Watt meters.
Note:	All Watt meters are calibrated at $\cos \phi = 1$ and Var meters at $\sin \phi = 1$.
	All Low Power Factor Watt meters are calibrated at $\cos \phi = 0.2$ Lag.
	Other Voltage and Current ranges can be supplied on request, subject to technical feasibility.

A. SINGLE PHASE SINGLE ELEMENT: MODEL - SPW1 (PF=1.0)

Current Ranges	Potential Ranges	Current Ranges Available(Any One)	Potential Ranges Available (Any One)
1	1	0.5, 1, 2.5, 5, 10A	150, 250, 300, 500, 600V
1	2	0.5, 1, 2.5, 5, 10A	75/150, 150/300, 250/500, 300/600V

1	3	0.5, 1, 2.5, 5, 10A	75/150/300, 125/250/500V, 150/300/600V
2	1	0.5/1, 1/2, 2.5/5, 5/10, 10/20, 15/30A	100, 150, 250, 300, 500, 600V
2	2	0.5/1, 1/2, 2.5/5, 5/10, 10/20, 15/30A	50/100, 75/150, 125/250, 150/300, 250/500, 300/600V
2	3	0.5/1, 1/2, 2.5/5, 5/10, 10/20, 15/30A	62.5/125/250, 75/150/300, 125/250/500V, 150/300/600V

B. SINGLE PHASE SINGLE ELEMENT LOW POWER FACTOR: MODEL - SPLW (PF=0.2)

Current Ranges	Potential Ranges	Current Ranges Available (Any One)	Potential Ranges Available (Any One)
1	1	0.5/1, 1/2, 2.5/5, 5/10, 10/20, 15/30A	62.5/125/250, 75/150/300, 125/250/500V, 150/300/600V

C. (3 Phase 3 Wire) DOUBLE ELEMENT FOR BALANCED & UNBALANCED LOAD: MODEL: DPW3 / DPVAR3

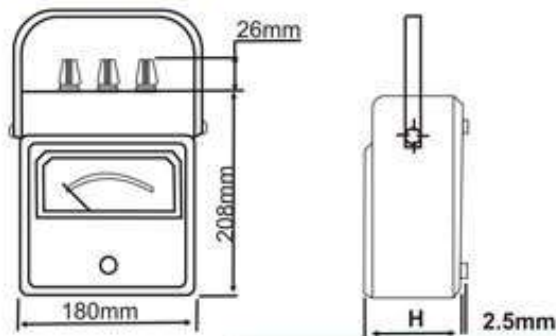
Current Ranges	Potential Ranges	Current Ranges Available (Any One)	Potential Ranges Available (Any One)
1	1	0.5/1, 1/2, 2.5/5, 5/10, 10/20, 15/30A	62.5/125/250, 75/150/300, 125/250/500V, 150/300/600V

OPTIONAL ACCESSORIES:

Carrying Case for the Bakelite Portable Meter is available as an optional accessory. To ensure longer service, the instrument should preferably be housed in a carrying case when stores are being transported in the field.

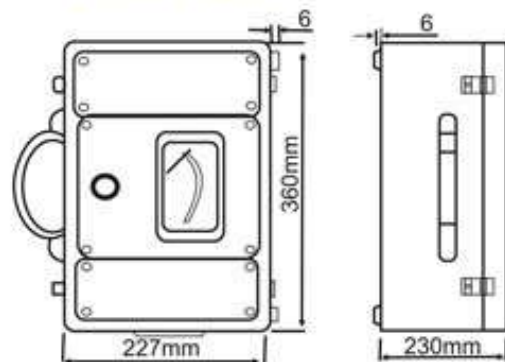
DIMENSIONS

BAKELITE CASE



MODEL	HEIGHT (H)
DPW3/DPVAR3	145mm
SPW/SPLW/SPFI/SPF3	98mm

WOODEN CASE



MODEL: DPF3